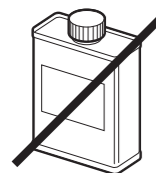


FIXING INSTRUCTIONS - PROTECT VP300 (TB)

GENERAL

- Protect VP300 (TB), a vapour permeable underlay, may be used for cold roofs with ventilated or unventilated loft spaces (see Figs 1 and 2) or warm roofs with insulation between and or above rafters (see Figs 3 and 4).
- In accordance with good building practice, this product should be covered as soon as possible after installation and preferably not more than one month after initial exposure. Within this period, when correctly installed, Protect VP300 (TB) will provide temporary protection against rain prior to installation of slates or tiling. If the exposure period exceeds one month then advice must be sought from the Glidevale Protect Technical department.
- Do not lay Protect VP300 (TB) in contact with any undried timber preservative (whether water or solvent based).
- Store rolls on a flat dry surface, protected from the weather.
- Fix Protect VP300 (TB) using extra large clout nails of copper, aluminium alloy or galvanised steel, 20 mm x 3.5 mm or stainless steel staples.
- Protect VP300 (TB) can be easily cut with a sharp knife and remains flexible at all normal working temperatures.
- Lay Protect VP300 (TB) with minimum laps shown in table below.

Roof pitch	Horizontal lap up slope	Vertical lap across slope
12.5° - 14°	225 mm	100 mm
≥15°	150 mm	100 mm



Do not use in direct contact with organic solvents



For information on details around pipes and columns as well as products designed to ease installation, or for further technical guidance, contact the Glidevale Protect Technical department on +44 (0)161 905 5700.

Associated products:

High and low level ventilation, eaves skirt, Universal Dry Verge System for tiles, Universal Dry Verge System for slates, Univalley 125, Universal Dry Fix Valley Trough, Solar Inlet Terminal for tiles, Solar Inlet Terminal for slates, AluFlash lead alternative flashing.

COLD ROOFS

If a ceiling is well sealed, as defined in BS 5250, condensation in dwelling sized roofs can be controlled by the use of Protect VP300 (TB) and a reduced level of ventilation from that required with impermeable or Type HR underlays. This should be either 3,000mm²/m at eaves or low level or 5,000mm²/m at ridge or high level.

In larger than dwelling sized roofs the ventilation should be 5,000mm²/m at eaves or low level and 5,000mm²/m should be provided at ridge or high level.

If the ceiling is not well sealed in larger than dwelling sized roofs (as is likely in re-roofing situations) then the ventilation should be increased to 10,000mm²/m at low level and 5,000mm²/m at high level in accordance with BS 5250. This can be achieved with Glidevale Fascia/ Soffit vents at low level and Protect Fulmetal UniRoll / Protect Fulmetal RediRoll and Glidevale Tile/Slate Ventilators at high level.

WARM ROOFS

If the ceiling is well sealed, as defined in BS 5250, condensation can be controlled by the use of Protect VP300 (TB) with no additional ventilation. Protect VP300 (TB) can be laid draped unsupported (see Fig 3) or fully supported on insulation (see Fig 4). To ensure the integrity of a well sealed ceiling, a separate air and vapour control layer such as Protect VC Foil Ultra, is recommended to be used on the warm side of the insulation.

If there is any doubt about the ability to provide and maintain an effectively sealed vapour control layer then ventilation should be provided beneath the underlay of 25,000mm²/m at eaves or low level and 5,000mm²/mat ridge or high level. This can be achieved with Glidevale Fascia/ Soffit vents at low level and Protect Fulmetal UniRoll / Protect Fulmetal RediRoll and Glidevale Tile/Slate Ventilators at high level.

BATTEN SPACES

Where vapour permeable underlays such as Protect VP300 (TB) are used to contribute to condensation control they do so by allowing water vapour to escape to the atmosphere via the roof covering. Most concrete and clay tiles are sufficiently air open but if a tight roof covering is installed, e.g. fibre cement slates and metal tiles etc., it is necessary to ventilate the batten space. In this case, 25 mm counterbattens must be used above the underlay and ventilation provided – 25,000mm²/m at eaves or low level and 5,000mm²/m at ridge or high level (see Fig 2).

LAYING

Main roof areas

When laying Protect VP300 (TB) over counterbattens or rafters, allow shallow valleys (max. 15 mm deep). This is to allow any moisture on the upper surface of the underlay to drain away safely under the tiling/slating battens preventing ponding or wetting.

Eaves

Fit a Protect UV-resistant eaves skirt over or under ventilator depending on the type of installation method at eaves. Lap the first roll of Protect VP300 (TB) over the eaves skirt.

Verges

Lap the underlay 25 - 50 mm onto the outer skin of masonry, or on to the flying rafter for an overhanging verge.

Ridges

For over underlay ventilation installation, lap Protect VP300 (TB) at least 150mm down each side of the ridge.

For under underlay ventilation installation where dry ventilated ridge systems are used, stop Protect VP300 (TB) 30 mm short of the apex on each side.

Valleys

Lay a strip of Protect VP300 (TB) not less than 600 mm wide up valleys, lapped under the main roof underlay.

Hips

Lay a strip of Protect VP300 (TB) not less than 600 mm wide up hips, lapped over the main roof underlay.

COLD ROOFS

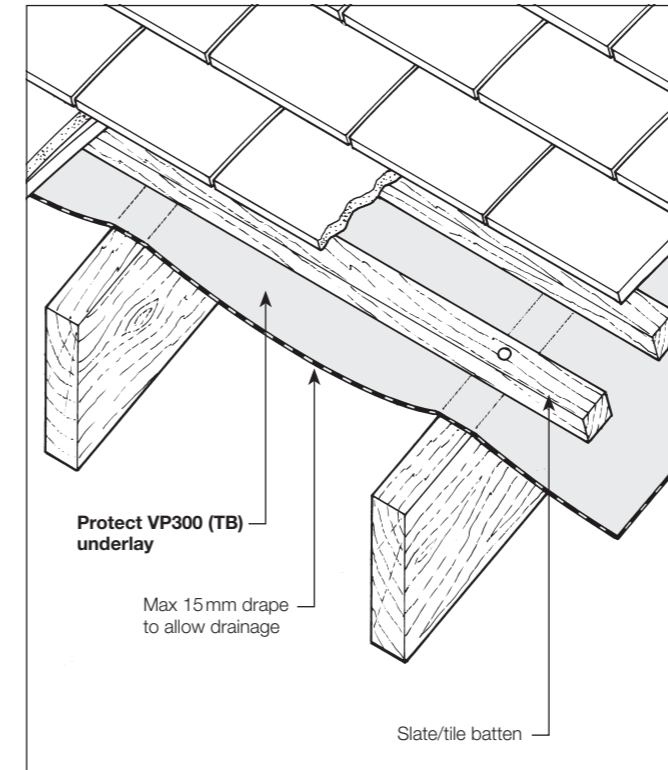


Figure 1.

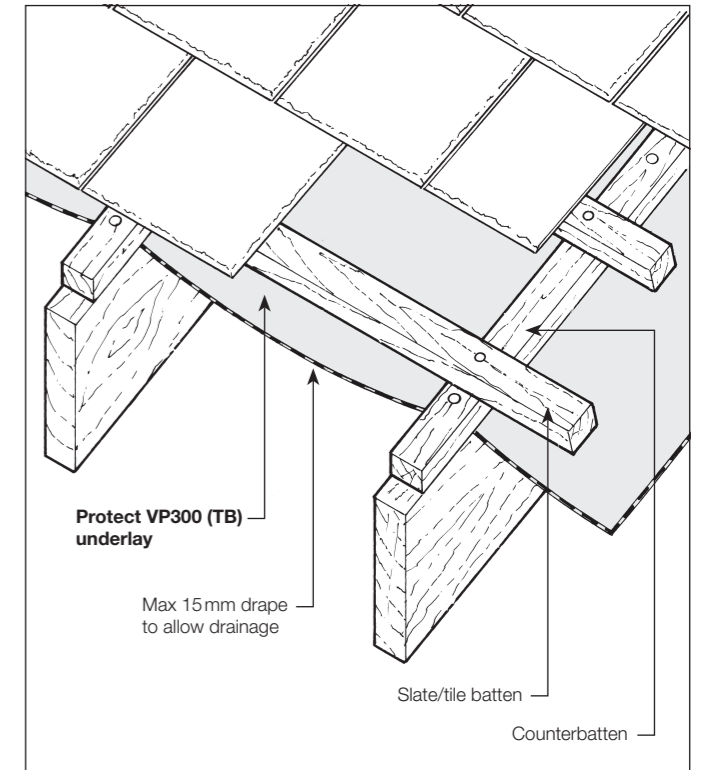


Figure 2.

WARM ROOFS

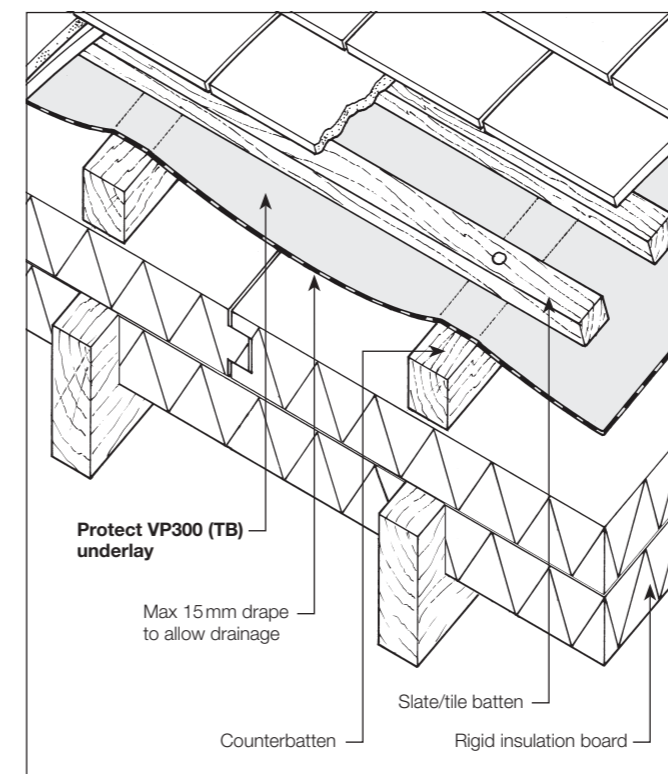


Figure 3.

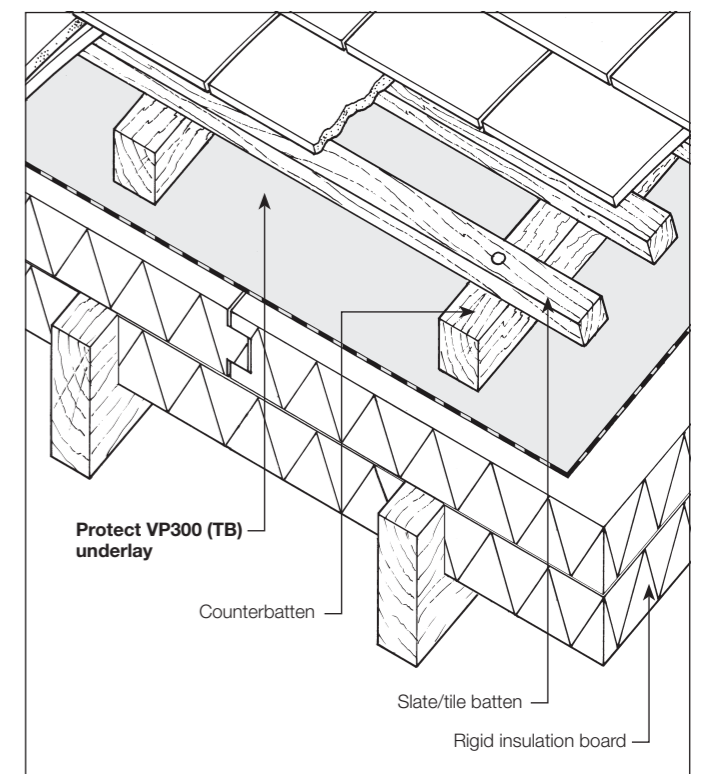


Figure 4.